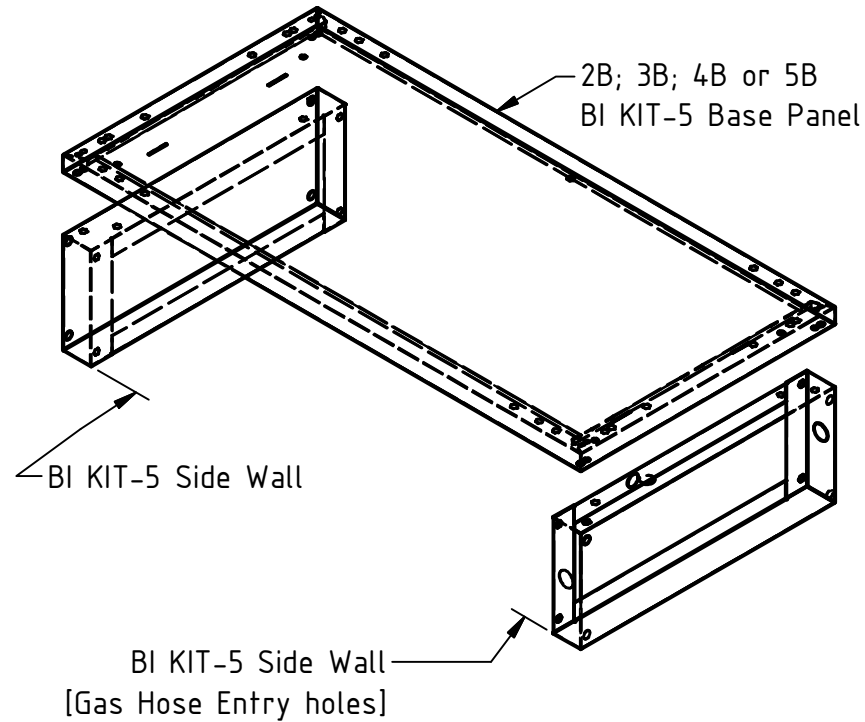


STEP 1: Place the two BI KIT-5 Side Walls on a flat surface and place the BI KIT-5 Base Panel on top.

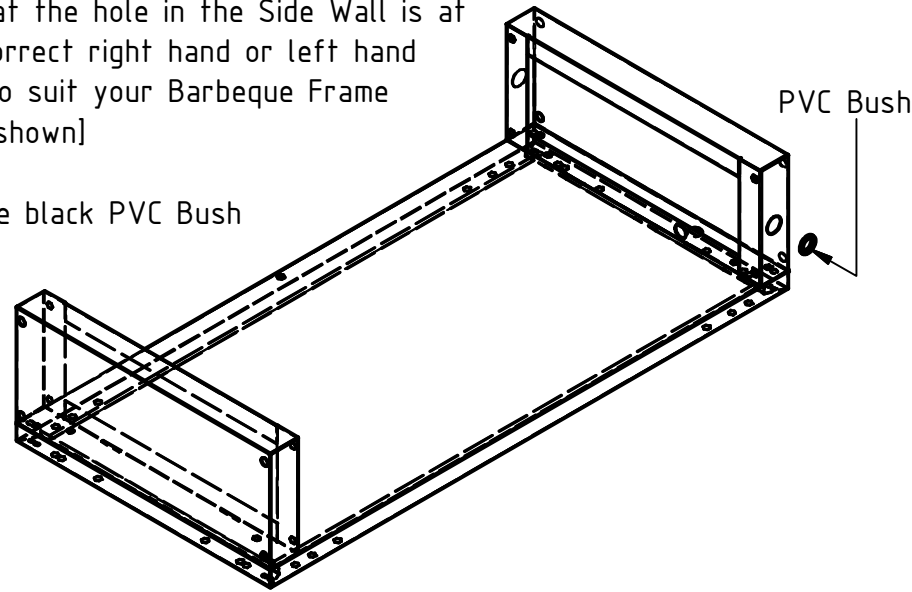
Align the fixing holes with riveted SS hexnuts in the Side Walls. Fit the 8 x M6x16 SS screws provided

If you have placed a special order for a Barbeque Frame with a left hand side gas entry the procedure is the same.



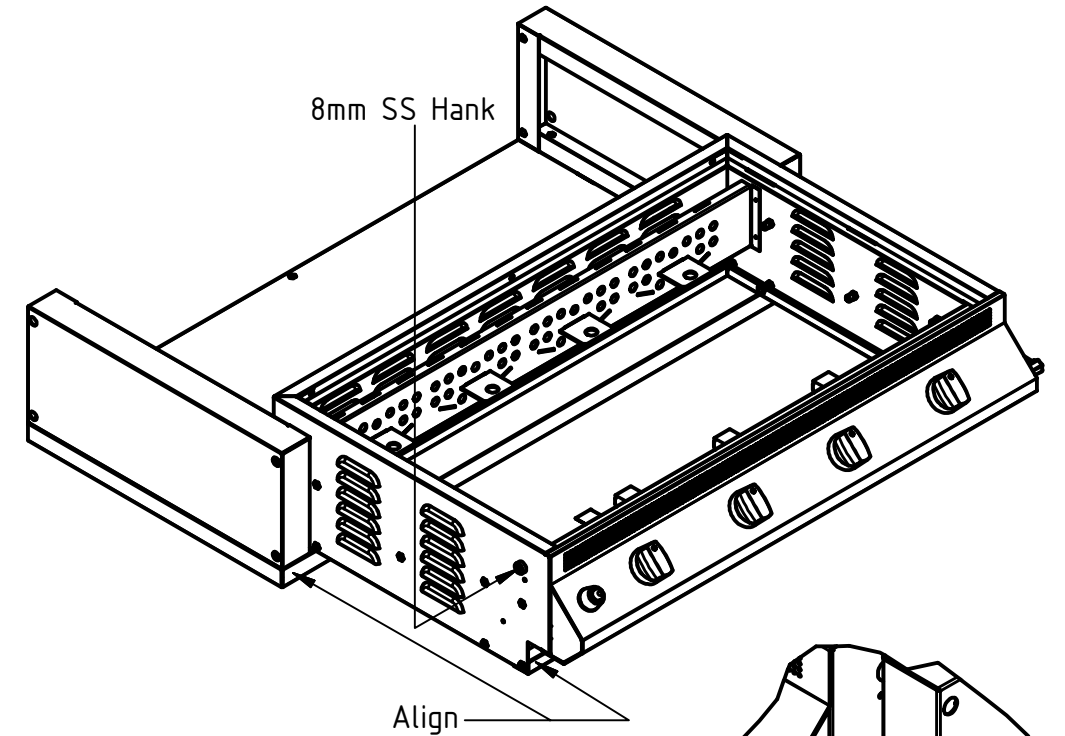
STEP 2: Rotate the BI KIT-5 SubAssy so that the hole in the Side Wall is at the correct right hand or left hand side to suit your Barbeque Frame [RHS shown]

Fit the black PVC Bush



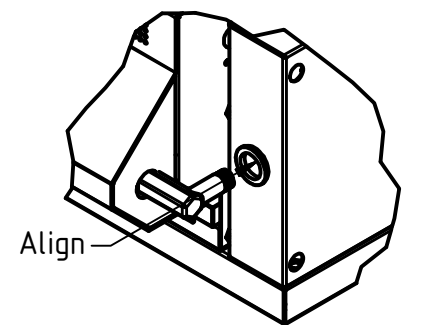
STEP 3: Insert the Barbeque Frame into the pre-assembled BI KIT-5 non-combustible recess liner until the bottom front face is flush with the front face of the Base Panel

Remove the brass nipple that is standard with Lifestyle Barbeques in other configurations and replace with Forged Elbow provided. Seal with gas sealant, eg "Loxseal" or equivalent. Take care not to obstruct gas flow path with excess sealant. Rotate nipple to align with gas entry in Side Wall

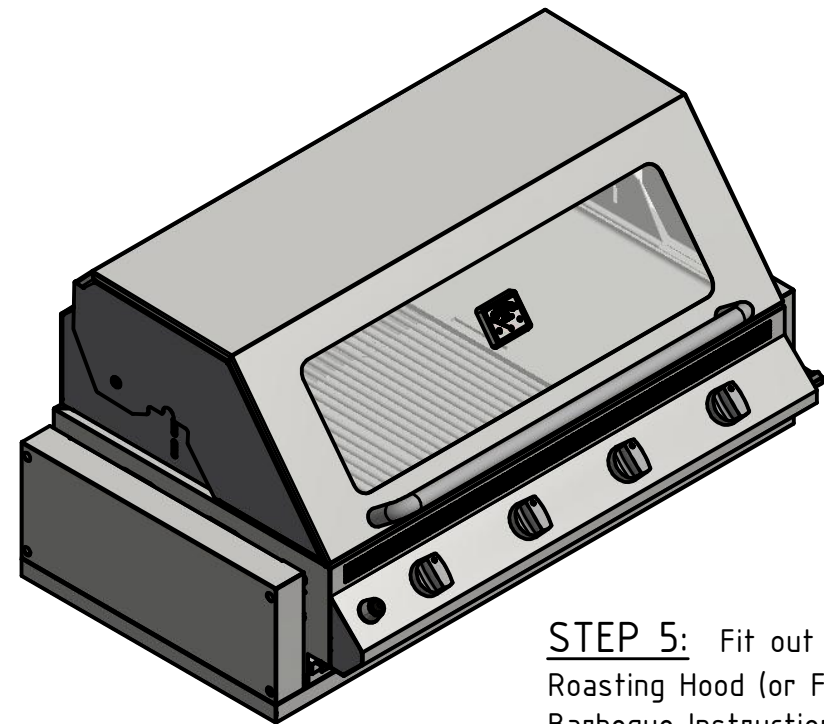


NOTES: Before starting-

1. If you do not have your printed copy of the Barbeque Instructions go to "New Owners Page" of www.lifestylebbqs.com.
2. Check that your order has been delivered in full according to the item list on your invoice: report any damages or deficiencies right away.
3. Always *lubricate* the ends of each SS screw with oil or WD40 before starting
4. Never over-tighten. Set cordless screw-drivers to *low torque* settings. Any later disassembly, maintenance, removal, reassembly will be made easier
5. Decide what path to route your flexible, braided SS Hose and where to position the regulator. Create any additional holes required in your kit *before* assembly



RHS Gas Entry shown



STEP 5: Fit out the barbeque internals and the Roasting Hood (or Flat Rain Cover) according to Barbeque Instructions pp 4-9

STEP 4: Align the front left and right-hand side Hanks (riveted to outside top corners of Barbeque Frame) with the corresponding holes in the BI KIT-5 Side Walls and fasten using 4 x M6x50 SS screws provided

TITLE:	Assembly Instructions: Premium Built-In Kit for Lifestyle Barbeques		
WI NUMBER:	TDS BI5		
FAQ NUMBER:			
BY:	Blair Boaden	DATE:	



REVISION HISTORY		
REV	REASON OF CHANGES	DATE
0	Released to production & website instructions	1/03/2014